

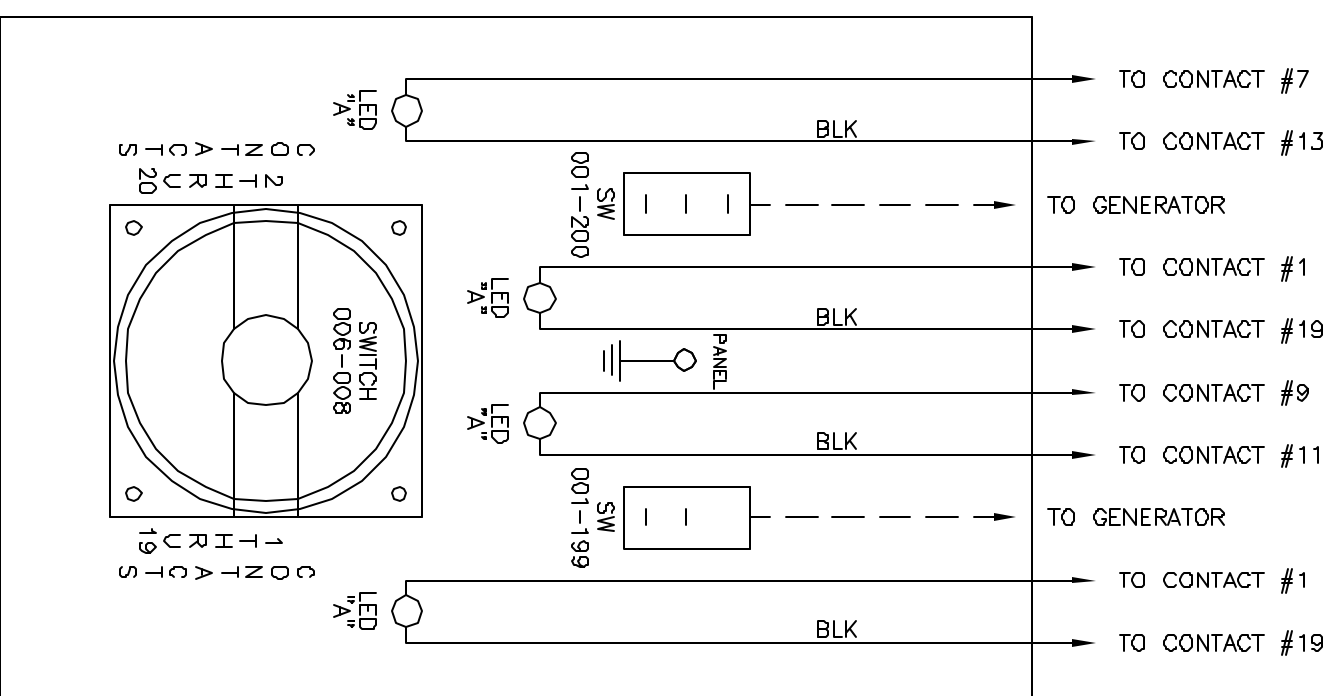
THANK YOU FOR CHOOSING PANELTRONICS, INC. THIS WIRING DIAGRAM WILL AID YOU IN THE INSTALLATION OF YOUR NEW PANEL. IT SHOULD BE KEPT FOR FUTURE REFERENCE AND SERVICE TO THE ELECTRICAL CONTROL PANEL. WITH PROPER MAINTENANCE, YOU WILL ENJOY MANY YEARS OF RELIABLE OPERATION.

ALL PANELTRONICS PRODUCTS SHOULD BE USED AND INSTALLED IN ACCORDANCE WITH THE PROVISIONS OF THE NATIONAL ELECTRIC CODE, UL AND OTHER LOCAL, MILITARY OR INDUSTRY STANDARDS THAT ARE PERTINENT TO THE PARTICULAR END USE. IN MARINE INSTALLATIONS, ALL PANELS MUST BE INSTALLED TO MEET THE REQUIREMENTS OF U.S.C.G. 33CFR SUBPART 1, ELECTRICAL SYSTEMS, ON ALL BOATS THAT HAVE GASOLINE ENGINES FOR ELECTRICAL OR MECHANICAL POWER OR PROPULSION, EXCEPT OUTBOARD ENGINES. AMERICAN BOAT AND YACHT COUNCIL (ABYC) STANDARDS AND RECOMMENDED PRACTICES SHOULD ALSO BE FOLLOWED.

PANELTRONICS INCORPORATED IS A COMPANY COMMITTED TO TOTAL QUALITY AND CONTINUOUS PRODUCT RESEARCH, DEVELOPMENT AND IMPROVEMENT. THEREFORE ALL INFORMATION AND SPECIFICATIONS ON THIS DIAGRAM ARE SUBJECT TO CHANGE WITHOUT NOTICE.

CONTACT NO.	INPUT/OUTPUT CONNECTION
1	SHORE LINE #1 HOT
19	SHORE LINE #1 NEUTRAL
9	SHORE LINE #2 HOT
11	SHORE LINE #2 NEUTRAL
7	GENERATOR HOT
13	GENERATOR NEUTRAL
8	LOAD BUS A HOT
18	LOAD BUS A NEUTRAL
2	LOAD BUS B HOT
20	LOAD BUS B NEUTRAL

LED "A"	
RATING	PART NO
120V	048-016
240V	048-027



EXCLUSIVE PROPERTY OF PANELTRONICS, INC.
ALL RIGHTS RESERVED. NO PART OF THIS DOCUMENT
MAY BE REPRODUCED OR TRANSMITTED IN ANY
FORM OR BY ANY MEANS, ELECTRONIC OR MECHANICAL,
INCLUDING PHOTOCOPYING, RECORDING, OR BY
ANY INFORMATION STORAGE AND RETRIEVAL SYSTEM,
WITHOUT PERMISSION IN WRITING FROM PANELTRONICS INCORPORATED.

PANELTRONICS Incorporated
Paneltronics, Inc.
11980 N.W. 87th Court
Hialeah Gardens, FL 33018

REAR VIEW
AC GENERATOR (PREMIER)
AC PANEL

CHIEF ENGINEER
PANELTRONICS

DRAWING NO. DATE
ATA 01/11/92
SCALE: 1:1
SHEET 2 of 2
REV 0

DESIGNED BY: BIRREZ/NOBEL
CAT
DRAWING # 2303
REV 0

REV	DESCRIPTION	DATE
0	INITIAL RELEASE	1/17/92