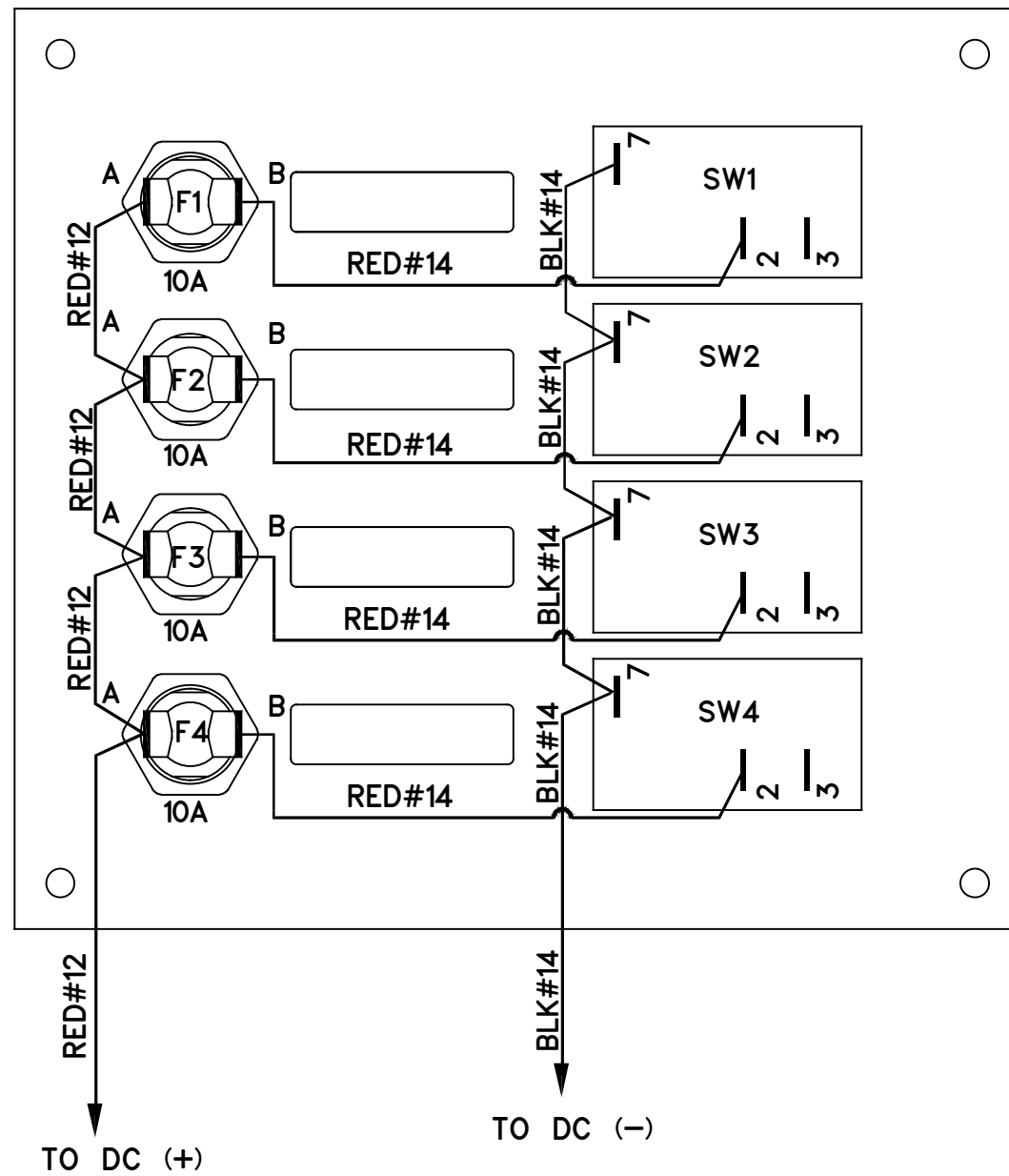


REVISIONS				
REV	DESCRIPTION	ECN	BY	DATE
0	INITIAL RELEASE	18637	YR	3/31/17



EXCLUSIVE PROPERTY OF PANELTRONICS, INC.
 NOT FOR RELEASE WITHOUT PROPER WRITTEN
 AUTHORIZATION THIS DOCUMENT DISCLOSES
 INFORMATION WHICH PANELTRONICS INCORPORATED
 HAS PROPRIETARY RIGHTS

PANELTRONICS
 INCORPORATED

Paneltronics, Inc.
 11960 N.W. 87th Court
 Hialeah Gardens, FL 33018

NOTES:
 220-158

FRONT VIEW
 PNL, SWITCH ROCK DC 4 POS

MATERIAL:

DRAWN BY: YR
 DATE: 03/31/17

CUSTOMER: PANELTRONICS

SHEET: 1 OF 2
 SCALE: NA
 SIZE: B

SERIES/MODEL: DRAWING #: 9960006
 REV: 0