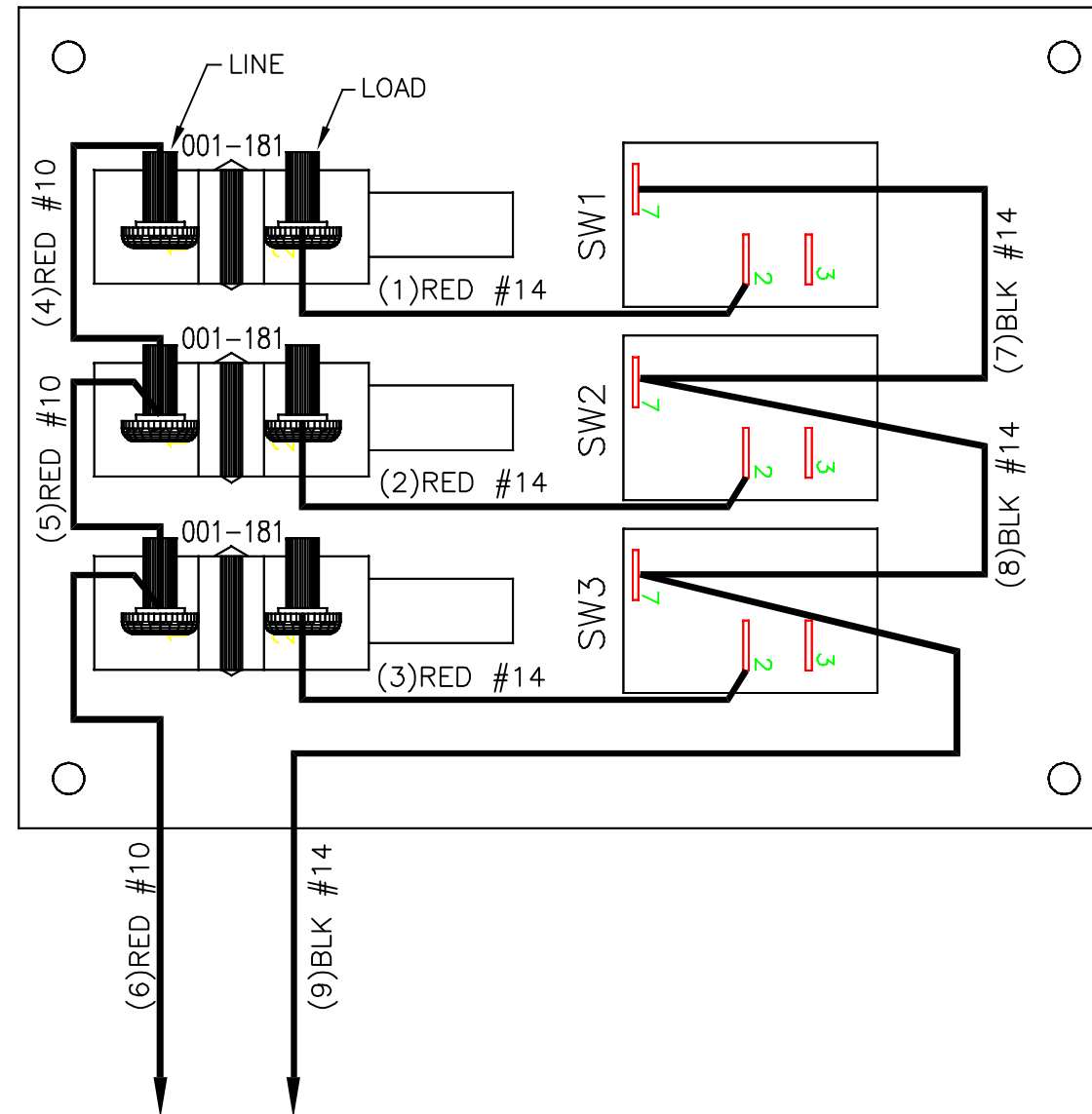


REVISIONS				
REV	DESCRIPTION	ECN	BY	DATE
1	REMOVED WIRE LEG FROM PANEL AND CREATED AS NEW P/N	2005178	KP	7/12/05
2	ROTATED BKRS 180 DEGREES AND INDICATED THE LOCATION OF LINE/LOAD	14597	Jz	1/25/11



EXCLUSIVE PROPERTY OF PANELTRONICS, INC.  
 NOT FOR RELEASE WITHOUT PROPER WRITTEN  
 AUTHORIZATION THIS DOCUMENT DISCLOSES  
 INFORMATION WHICH PANELTRONICS INCORPORATED  
 HAS PROPRIETARY RIGHTS

**PANELTRONICS** Paneltronics, Inc.  
 INCORPORATED 11960 N.W. 87th Court  
 Hialeah Gardens, FL 33018

NOTES:  
 SIMILAR TO 9960014  
 WIRES: 220-160  
 MATERIAL:

REAR VIEW  
 DC THREE SWITCH PANEL

DRAWN BY: EA  
 DATE: 03/10/04

CUSTOMER: PANELTRONICS

SHEET: 2 OF 2  
 SCALE: 1:1  
 SIZE: A

SERIES/MODEL: CAT  
 DRAWING #: 9960019  
 REV: 2