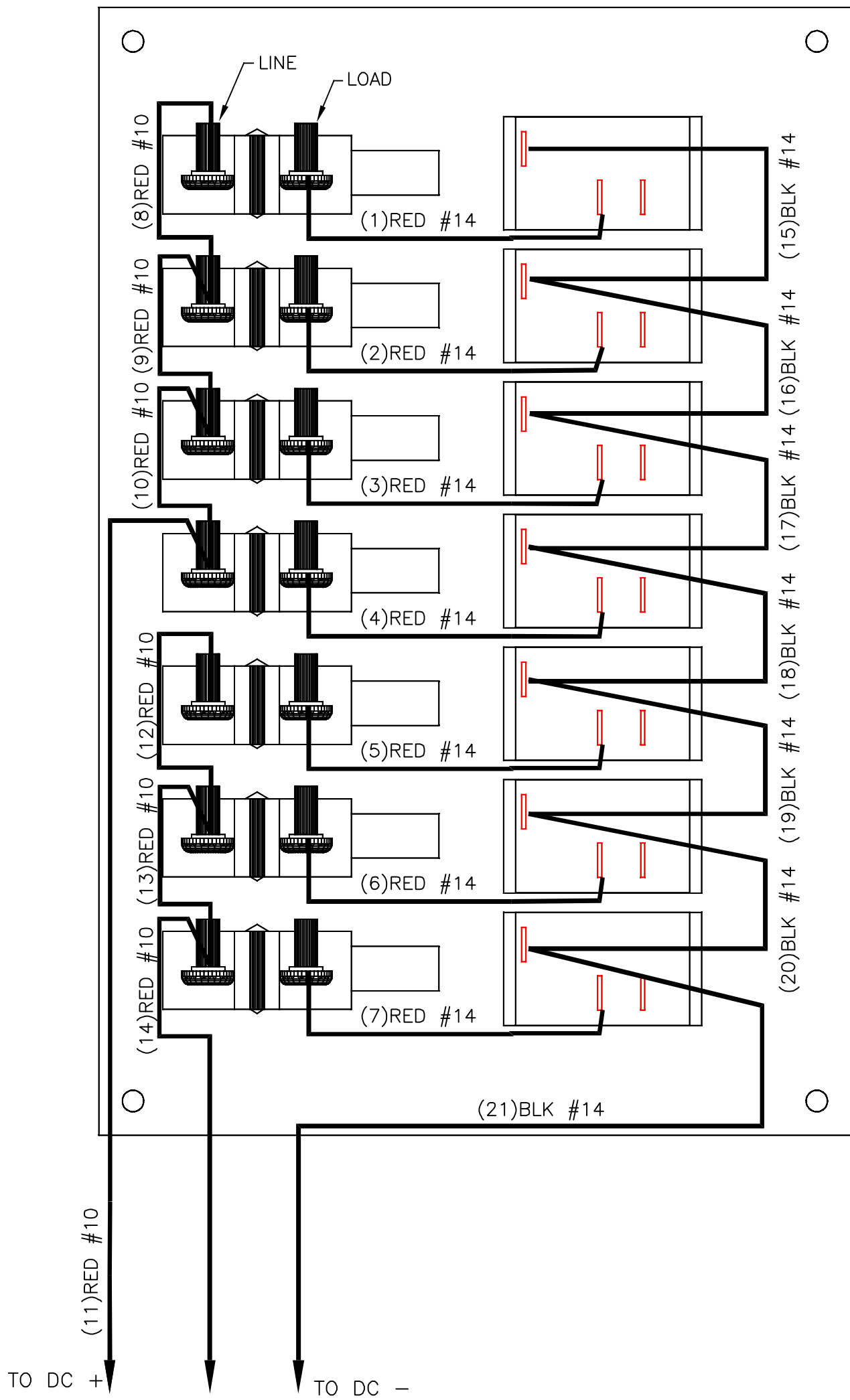


REVISIONS				
REV	DESCRIPTION	ECN	BY	DATE
2	REMOVED WIRE LEG FROM PANEL AND CREATED AS NEW P/N	2005178	KP	7/12/05
3	ROTATED BKRS 180 DEGREES AND INDICATED THE LOCATION OF LINE/LOAD	14597	Jz	1/25/11



EXCLUSIVE PROPERTY OF PANELTRONICS, INC.
 NOT FOR RELEASE WITHOUT PROPER WRITTEN
 AUTHORIZATION THIS DOCUMENT DISCLOSES
 INFORMATION WHICH PANELTRONICS INCORPORATED
 HAS PROPRIETARY RIGHTS



Paneltronics, Inc.
 11960 N.W. 87th Court
 Hialeah Gardens, FL 33018

NOTES:
 SIMILAR TO 9960015
 WIRES: 220-161
 MATERIAL:

REAR VIEW DC SEVEN ROCKER SW PANEL

DRAWN BY: EA DATE: 03/10/04

CUSTOMER: **PANELTRONICS**

SHEET: 2 OF 2 SCALE: 1:1 SIZE: B

SERIES/MODEL: CAT DRAWING #: 9960020 REV: 3