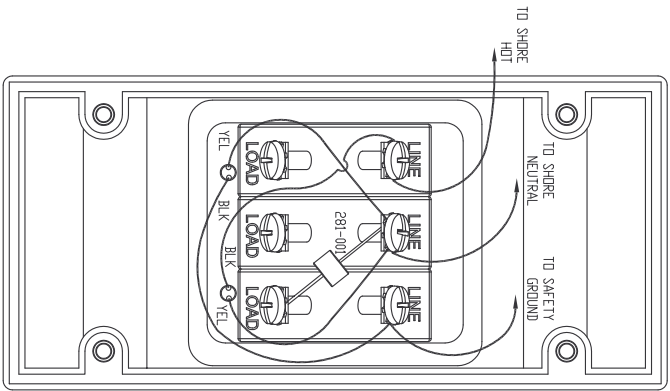
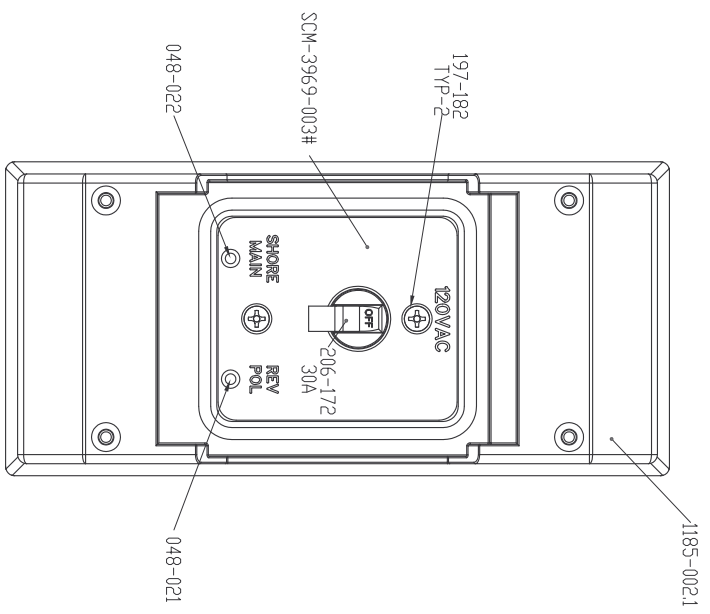


REVISIONS					
ZONE	REV.	DESCRIPTION	BY	DATE	ESR / ECR
	A	PROTOTYPE INITIAL RELEASE	JUNAZ	01/20/2010	14150



ITEM NO.	PART NUMBER	DESCRIPTION	QTY.
1	048-021	LED, RED, 120VAC 5/32" DIAMETER	1
2	048-022	LED, GREEN, 120VAC 5/32" DIAMETER	1
3	1185-002.1	ENCLOSURE 2/3 POLE RCD - P/M MODIFIED	1
4	197-182	SCREW, #6-32 x 1/4 FHP MS SS BLK	2
5	197-188	SCREW, #10-32 X 3/8" PHC SS W/ETS WASHER	6
6	206-172	CB, 3P 30A/65VAC RND WHT CE/UR MAG	1
7	281-001	SURGE ARRESTER 75VDC	1
8	SCM-3969-003#	PNL, 120VAC SHORE MAIN REV PDL	1

**IPANELTRONICS**  
MIAMI, FLORIDA

UNLESS OTHERWISE SPECIFIED:  
DIMENSIONS ARE IN INCHES  
FRACTIONAL 1/8  
DECIMAL .0005  
TOLERANCES:  
FRACTIONAL ± .0005  
DECIMAL ± .0005  
HOLE LOCATIONS ± .005  
HOLE DIAMETERS ± .0005  
HOLE DEPT. ± .0005  
HOLE DRILLING ± .0005  
HOLE FINISH ± .0005  
HOLE TOLERANCE ± .0005  
HOLE POSITION ± .0005  
HOLE TOLERANCE ± .0005  
HOLE POSITION ± .0005

NAME	DATE
DESIGNED: McConville	10/21/09
CHECKED: B. O'Neil	
ENG. APPR: B. O'Neil	

TITLE: MAIN TERRAPROOF MAIN DISC  
120VAC/30A  
SIZE: DWG. NO. 9972323  
SCALE: 1:1  
SHEET: 1