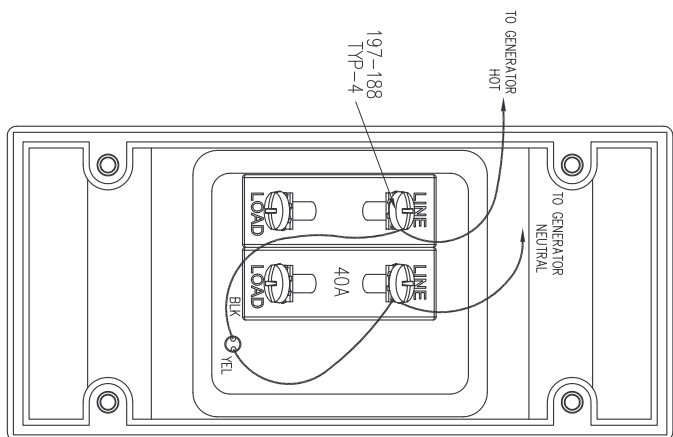
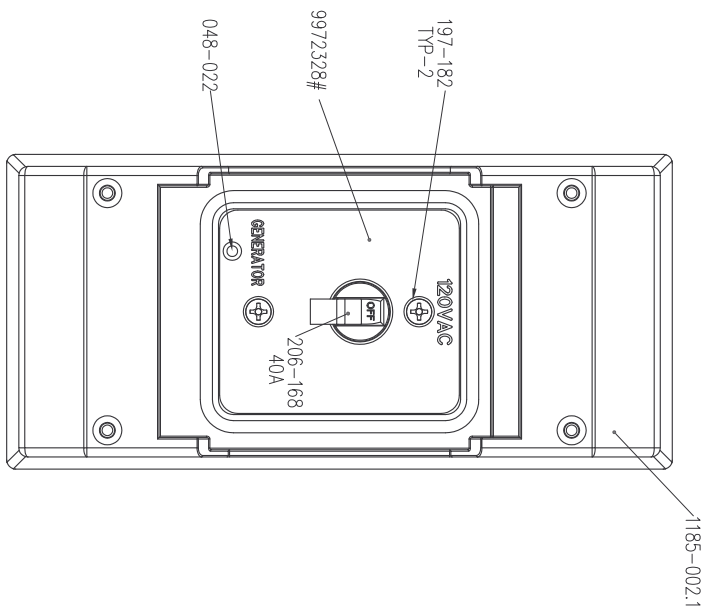


REVISIONS

ZONE	REV	DESCRIPTION	BY	DATE	ESR / ESN
A	1	PROTOTYPE INITIAL RELEASE	J. DAZ	01/20/2010	14150



ITEM NO.	PART NUMBER	DESCRIPTION	QTY.
1	048-022	LED, GREEN, 120VAC, 5/32" DIAMETER	1
2	1185-002.1	ENCLOSURE 2/3 POLE ROD - P/M MODIFIED	1
3	197-182	SCREW, #6-32 x 1/4 FHP MS SS BLK	2
4	197-188	SCREW, #10-32 X 3/8" PHC SS W/ETS WASHER	4
5	206-168	CB, 2P 40A AC/DC RND WHI CE/LIR MAG	1
6	9972328#	PNL, 120VAC GENERATOR	1

PROPRIETARY AND CONFIDENTIAL  
 THE INFORMATION CONTAINED IN THIS DRAWING IS THE SOLE PROPERTY OF IPANELTRONICS, INC. AND IS TO BE USED ONLY IN CONNECTION WITH THE PRODUCTS AND SERVICES PROVIDED BY IPANELTRONICS, INC.

UNLESS OTHERWISE SPECIFIED:	DESIGNED	NAME	DATE
TOLERANCES ARE IN INCHES	11/23/09	J. Gotschall	11/23/09
FRACTIONS: 1/16, 1/8, 1/4, 3/8, 1/2	CHECKED	B. Chirier	--/--
ANGLES: 30°, 45°, 60°, 90°, 120°, 150°, 180°	ENG APPR.	B. Chirier	--/--
TWO PLACE DECIMALS	DATE		
THREE PLACE DECIMALS			
INTERPRET DIMENSIONS AND TOLERANCES PER ANSI/ASME Y14.5M-2009	COMMENTS:		
FINISH	SIL SCREEN		
DO NOT SCALE DRAWING	AREA	SCALE: 1:1	SHEET 1

**IPANELTRONICS**  
 MAKING IT EASIER

TITLE: WATERPROOF PNL,  
 120VAC 40A GENERATOR  
 SIZE: DIMS: NO  
 9972329  
 REV A