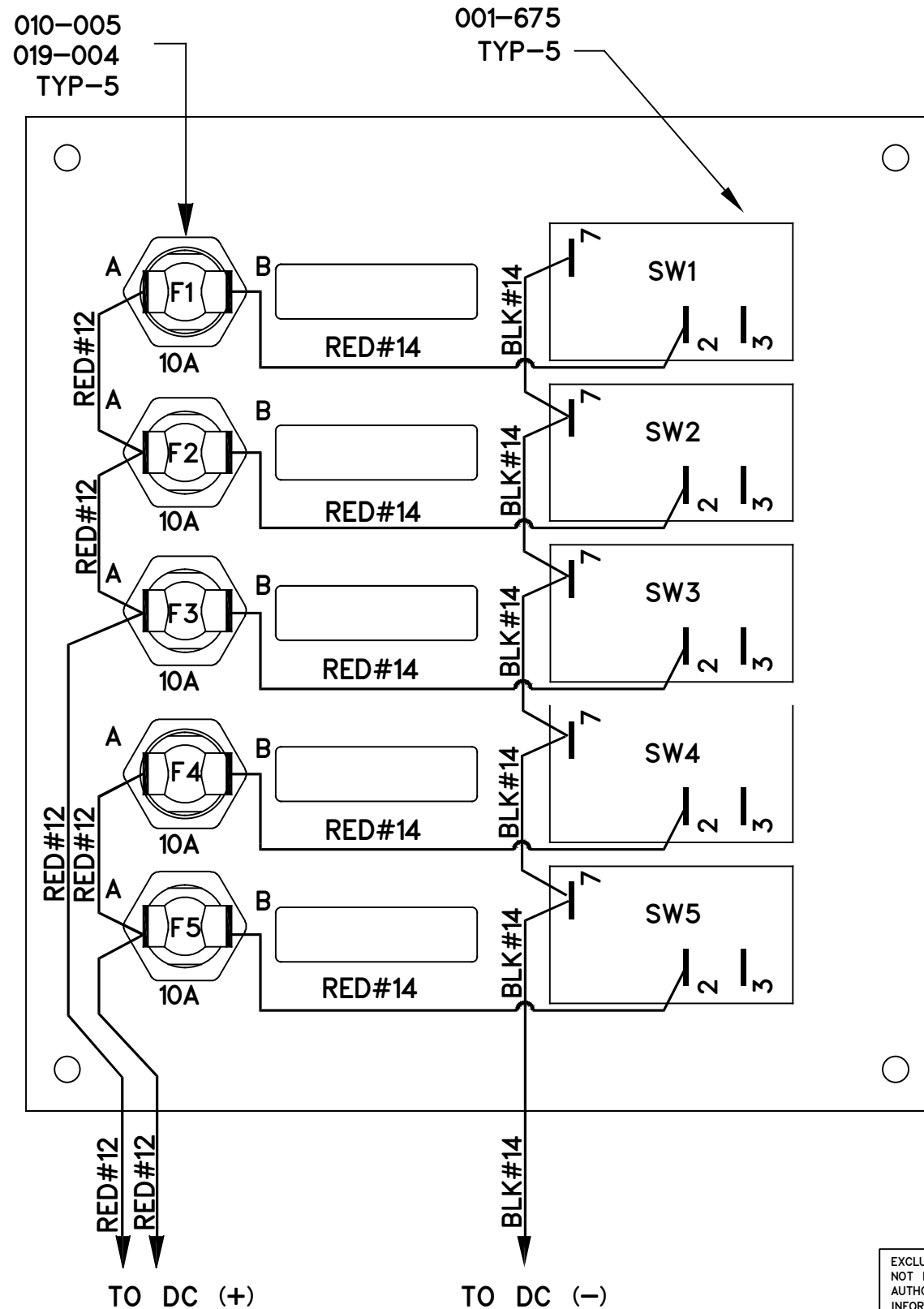


REVISIONS

REV	DESCRIPTION	ECN	BY	DATE
4	ADDED SEAL TO SWITCHES & WATERPROOF LABEL TO CLAM PACK PANELS	2004234	TG	10/26/04
5	REMOVED WIRE LEG FROM PANEL AND CREATED AS NEW P/N	2005265	KP	11/23/05
6	CHANGED MOUNTING SCREWS FROM 197-965 TO 197-155	2005291	MMG	12/12/05



EXCLUSIVE PROPERTY OF PANELTRONICS, INC.
 NOT FOR RELEASE WITHOUT PROPER WRITTEN
 AUTHORIZATION THIS DOCUMENT DISCLOSES
 INFORMATION WHICH PANELTRONICS INCORPORATED
 HAS PROPRIETARY RIGHTS

NOTES:
 WIRES: 220-283

MATERIAL:

DRAWN BY: TG
 DATE: 02/10/03

SHEET: 2 OF 2
 SCALE: 1:1
 SIZE: B



Paneltronics, Inc.
 11960 N.W. 87th Court
 Hialeah Gardens, FL 33018

REAR VIEW
 PNL, SWITCH ROCK 5 POSIT

CUSTOMER: PANELTRONICS

SERIES/MODEL: CAT
 DRAWING #: 9960007
 REV: 6