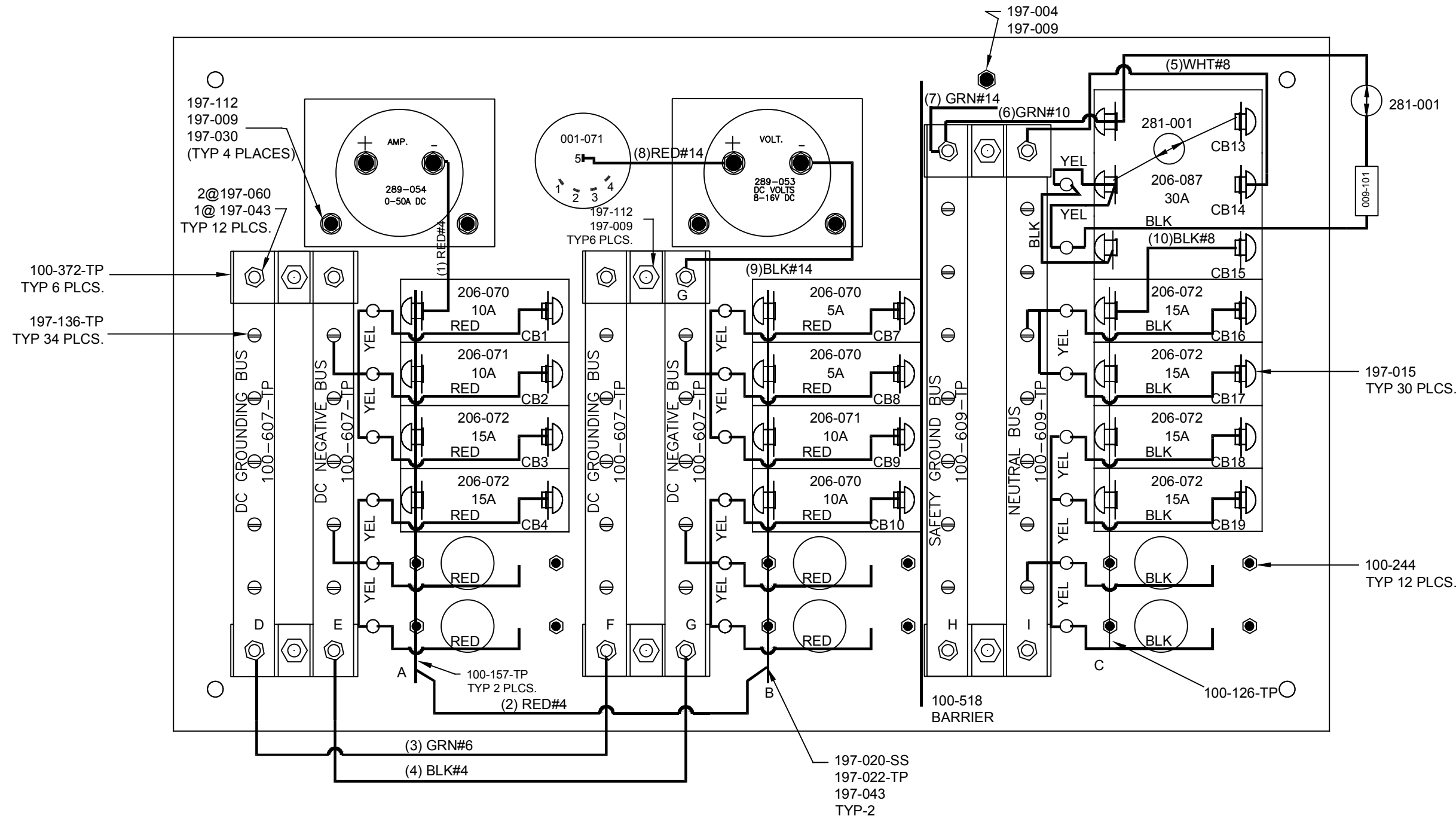


REVISIONS				
REV	DESCRIPTION	ECN	BY	DATE
4	CHANGED GRN#5 TO GRN#6	0013248	Rz	8/05/08
2	CHANGED FROM BRASS TO TIN PLATED PARTS	2004013	NA	1/19/04
3	REMOVED WIRE LEG FROM PANEL AND CREATED AS NEW P/N	2005261	KP	11/21/05



EXCLUSIVE PROPERTY OF PANELTRONICS, INC. NOT FOR RELEASE WITHOUT PROPER WRITTEN AUTHORIZATION THIS DOCUMENT DISCLOSES INFORMATION WHICH PANELTRONICS INCORPORATED HAS PROPRIETARY RIGHTS		<b>PANELTRONICS</b> INCORPORATED		Paneltronics, Inc. 11960 N.W. 87th Court Hialeah Gardens, FL 33018	
NOTES: WIRES: 220-276		<b>REAR VIEW</b> 12V DC & 120V AC			
MATERIAL:		CUSTOMER: <b>PANELTRONICS</b>			
DRAWN BY: NA	DATE: 11/08/00	SERIES/MODEL:		DRAWING #: <b>9973410</b>	
SHEET: 2 of 2	SCALE: 1:1	SIZE: C	REV: <b>4</b>		