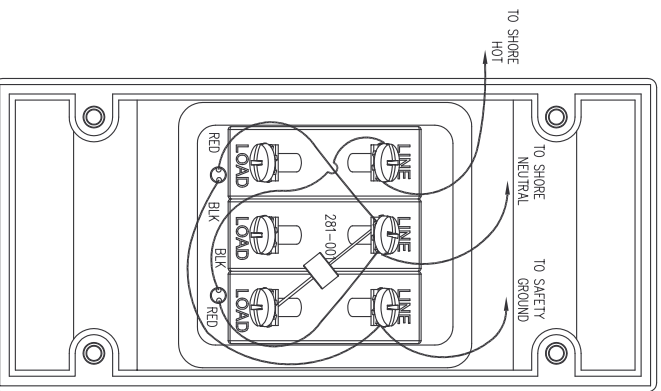
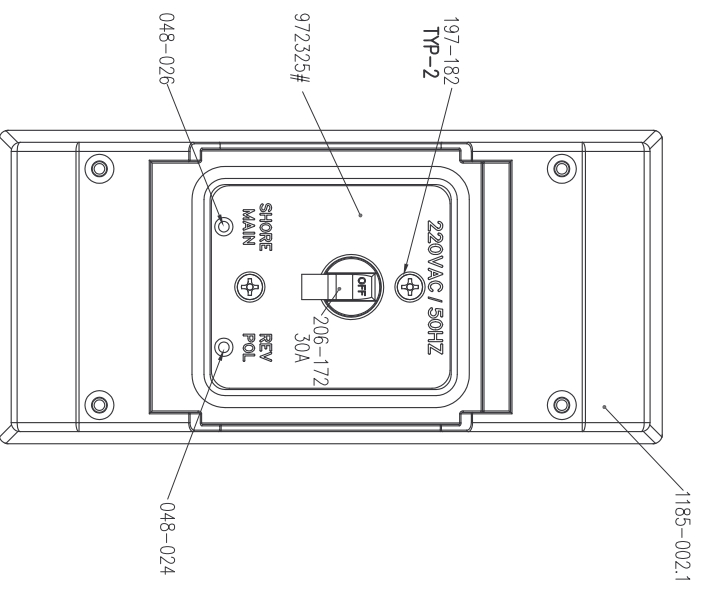


REVISIONS					
ZONE	REV.	DESCRIPTION	BY	DATE	ESR / ESN
	A	PROTOTYPE INITIAL RELEASE	L. DALZ	01/20/2010	14150



ITEM NO.	PART NUMBER	DESCRIPTION	QTY.
1	048-024	LED, RED 240VAC 5/32" DIAMETER	1
2	048-026	LED, GREEN 240VAC 5/32" DIAMETER	1
3	1185-002.1	ENCLOSURE 2/3 POLE RCD - P/M MODIFIED	1
4	197-182	SCREW, #6-32 x 1/4 PHP MS SS BLK	2
5	197-188	SCREW, #10-32 x 3/8" PHC SS W/ETS WASHER	6
6	206-172	CB, 3P 30A/65VAC RND WHT GE/UR MAG	1
7	281-001	SURGE ARRESTER 75VDC	1
8	9972325#	PLU, 220VAC-50HZ MAIN DISC	1

IPANELTRONICS
MADE IN FLORIDA

TITLE: WATERPROOF MAIN DISC
SIZE: DIM. NO. 9972326
REV: A

UNLESS OTHERWISE SPECIFIED:
DIMENSIONS ARE IN INCHES
TOLERANCES: ± .005
FINISH: BRN
MATERIAL: ALUMINUM
SURFACE FINISH: ANODIZED
TEMPERATURE RATING: 105°C
MOUNTING: PER ANSI/ISA

DESIGNED	CHECKED	ENG. APPR.	DATE
M. Cordeiro	B. Cordeiro		10/26/09

DO NOT SCALE DRAWING

SCALE: 1:1

SHEET 1

PROPRIETARY AND CONFIDENTIAL.
THE INFORMATION CONTAINED IN THIS DRAWING IS THE SOLE PROPERTY OF IPANELTRONICS. NO PART OF THIS DRAWING IS TO BE REPRODUCED OR TRANSMITTED IN ANY FORM OR BY ANY MEANS, ELECTRONIC OR MECHANICAL, INCLUDING PHOTOCOPYING, RECORDING, OR BY ANY INFORMATION STORAGE AND RETRIEVAL SYSTEM, WITHOUT THE WRITTEN PERMISSION OF IPANELTRONICS.